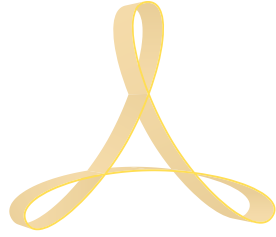


PASTA COOKER | ELECTRIC MODEL APCT24

ELECTRIC COUNTER TOP COOKER

ELENA



ARCOBALENO™

Project: _____
 Item #: _____
 Qty: _____
 CSI Section 11400: _____
 Approval: _____
 Date: _____

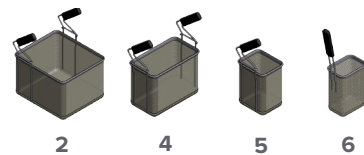


STANDARD FEATURES

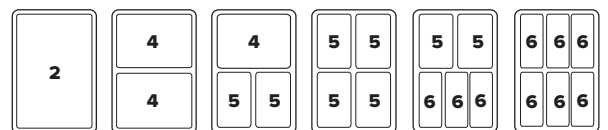
- Versatile pasta cooker; cook fresh, dry & frozen pastas plus... noodles, vegetables and more
- Stainless steel rounded corners rear backsplash construction - sanitary finish
- 316 stainless steel cooking tank
- 3 position temperature control
- Water safety sensor
- Counter top unit requires no water or drain connections - water is filled and drained manually
- Factory and on-location training—the only full-service pasta machine manufacturer in North America



Pasta Basket Options



Pasta Basket Combinations



OPTIONAL FEATURES & ACCESSORIES

- Variety of pasta basket options

WARRANTY

One Year: For more information visit arcobalenollc.com/warranty.html

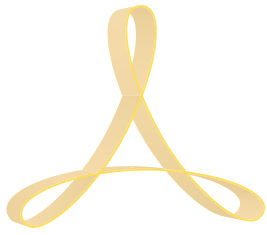


TRY BEFORE YOU BUY

In an effort to ensure success, we maintain a test kitchen where you can have your very own recipe tested for quality —at NO COST to you! Call for details.



Specifications subject to change without notice due to policy of continuous product improvement.



PASTA COOKER | ELECTRIC

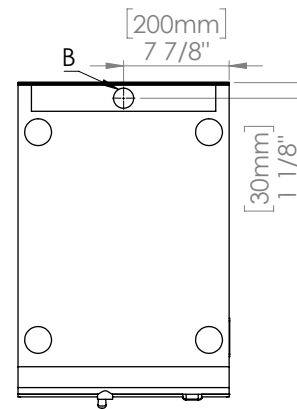
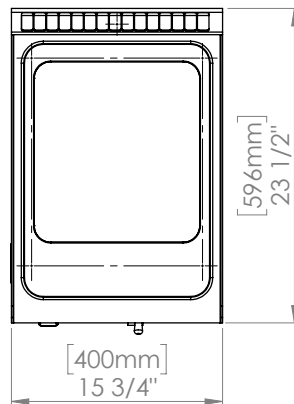
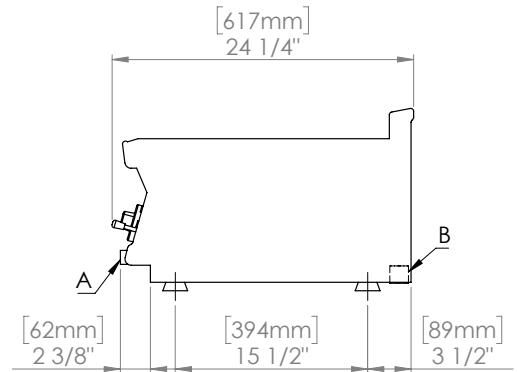
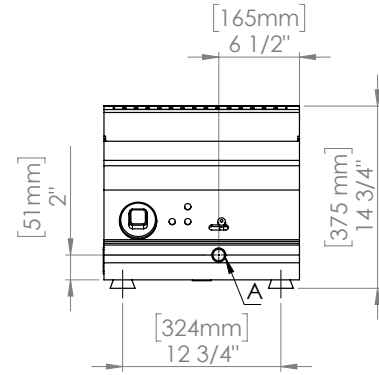
MODEL APCT24

ELECTRIC COUNTER TOP COOKER

ARC OB A L E N O™

TECHNICAL SPECIFICATIONS

Model	APCT24
Tank	1
Tank Volume	4.5 gallon
Tank Dimension	12"W x 13.25"D x 8.75"H
Power	220/1/60Hz 30 Amps
Water Drainage	1/2" O.D.
Nema Plug	L6-30P
Cord Length	6 ft
Machine Dimension	15.75"W x 23.75"D x 14.75"H
Shipping Dimension	17"W x 27"D x 24"H
Net Weight	60 lbs
Shipping Weight	75 lbs
Shipping Class	85



NOTES:
 A- WATER DRAIN, 1/2" O.D.
 B- ELECTRIC CONNETOR, 220V 1PH 60Hz